



USTER® JOSSI VISION SHIELD 2

The perfect starting point for
Total Contamination Control

Technical Data

May 2019

USTER® JOSSI VISION SHIELD 2

The perfect starting point for Total Contamination Control

Scope of delivery

Basic equipment and parts

The USTER® JOSSI VISION SHIELD 2 will be delivered in a preassembled stage. The service engineer will do the final end-assembly as well as the final set-up directly at the spinning mill/blowroom.

- Detection Module/Ejection Module
- Leg supports with integrated control board and vision computer
- Transition cones for material outlet and waste evacuation (incl. fan)
- Duct/Channel
- IMAGING SPECTROSCOPES (delivered separately in carton-box)
- Electronic environment

Documentation

The following documents will be supplied with the delivery:

- Operating instructions of the USTER® JOSSI VISION SHIELD 2
- Spare parts catalogue of the USTER® JOSSI VISION SHIELD 2
- Customer CD (contains documentation and software)

Accessories

Two-way key to open all machine and Control Unit doors accessible to operating personnel.

Memory stick

Serves for the transferring and saving of the settings and statistics. Data from the memory stick can be separately handled and adjusted with the USTER® JOSSI DATA MANAGER.

Recovery stick

Serves for recovery of the operating system and the vision software in case of a software loss.

USTER® JOSSI VISION SHIELD 2

The perfect starting point for Total Contamination Control

Specification

General

Function	Detection and removal of foreign matter from cotton stream <ul style="list-style-type: none">– Color detection with IMAGING SPECTROSCOPES– VTECT for optically brightened contaminations– Plastic and Polypropylene detection
Display	At USTER® JOSSI VISION SHIELD 2 computer
Detection	IMAGING SPECTROSCOPES
Data and settings	On main screen and USTER® JOSSI DATA MANAGER
Connectivity	To USTER® VISION SHIELD EXPERT
Report	At USTER® JOSSI DATA MANAGER and USTER® VISION SHIELD EXPERT
Statistics	On main screen and USTER® JOSSI DATA MANAGER
Raw materials	<ul style="list-style-type: none">– Virgin cotton, bleached cotton– Other materials like plain white Viscose, Polypropylene, Polyester fibers etc. needs to be agreed by USTER on request (unknown finishing agent, additives)– Colored or dyed fibers as well as mélange/ blends are not recommended
Production rate	up to 1 200 kg/hour
Operating temperature	20–40° C
Temperature drifts	Max. 5° C within 24 hours
Working width	1 200 mm
Power consumption	approx. 1.0 KVA
Weight	600 kg
Material flow	Bottom-up
Installation	After the fine-opener
Upgrade possibilities	With USTER® JOSSI MAGIC EYE 2
Illumination	4 Fluorescent lamps/2 background stripes

USTER® *JOSSI VISION SHIELD 2*

The perfect starting point for Total Contamination Control

Reporting and data handling

The additional data-tool USTER® *JOSSI DATA MANAGER* will be supplied together with the USTER® *JOSSI VISION SHIELD 2*. This tool should be used for the external parametrization of the system as well as for the evaluation of the machine data and statistics.

The installation has to be carried out on a machine independent computer.

It is designed to keep the focus on:

1. Ergonomics
2. Ease customer use (user-friendly)
3. Future oriented architecture

USTER® JOSSI VISION SHIELD 2

The perfect starting point for Total Contamination Control

Features

Key actions	Features
Velocity measurement of the traveling material and objects (foreign matter)	<ul style="list-style-type: none"> Speed measurement function USTER® JOSSI VISION SHIELD 2 – Automatic adaption of ejection delay – Speed/Velocity will be constantly and automatically recalculated by the system – 24 zones individual measurements over the entire channel width
Color measurement of the raw material	<ul style="list-style-type: none"> Automatic QUICK TEACH – Automatic color measurement of the raw material every few minutes – Develops automatically a new classifier – New color reference
Available data management at the overall system (and main screen)	<ul style="list-style-type: none"> Accumulated data displayed at the main PC screen – Numbers of ejections per hour and day (separate for USTER® JOSSI VISION SHIELD 2, USTER® JOSSI MAGIC EYE 2, VTECT) – Production ratio (Stop-Go) – Information and status of the USTER® JOSSI VISION SHIELD 2 <ul style="list-style-type: none"> – Date and time – Sensitivity settings (color contrast and particle size) – Sensitivity settings VTECT – Sensitivity settings USTER® JOSSI MAGIC EYE 2 (if installed) – Efficiency Booster status (on/off) – Detection mode on/off – Screen lock – QUICK TEACH – Data export to USB
Ejection Module	<ul style="list-style-type: none"> Cyclone technology – Removal of foreign matter without backflow of contaminants – 24 valves/96 nozzles – 6 bar pressure recommended – Evacuation bag (on left or frontside available)
Maintenance	<ul style="list-style-type: none"> Easy access to the illumination <ul style="list-style-type: none"> – Maintenance can be done without production stop (only if desired, better with production stop) – Easy access to the presentation duct <ul style="list-style-type: none"> – Daily cleaning recommended, depending on the dirt built up – Easy accessibility and fast replacement of the fluorescent lamps and background stripe <ul style="list-style-type: none"> – Recommended interval: 5 000 working hours
Waste management	<ul style="list-style-type: none"> – Efficiency Booster <ul style="list-style-type: none"> – Button on main screen (green cotton leave) – Switch on/off possibility – Separate bar for statistic overview (accentuated by a light green bar on top of the regular statistic bar)

Languages on the USTER® JOSSI VISION SHIELD 2

Operating languages on USTER® JOSSI VISION SHIELD 2 screen

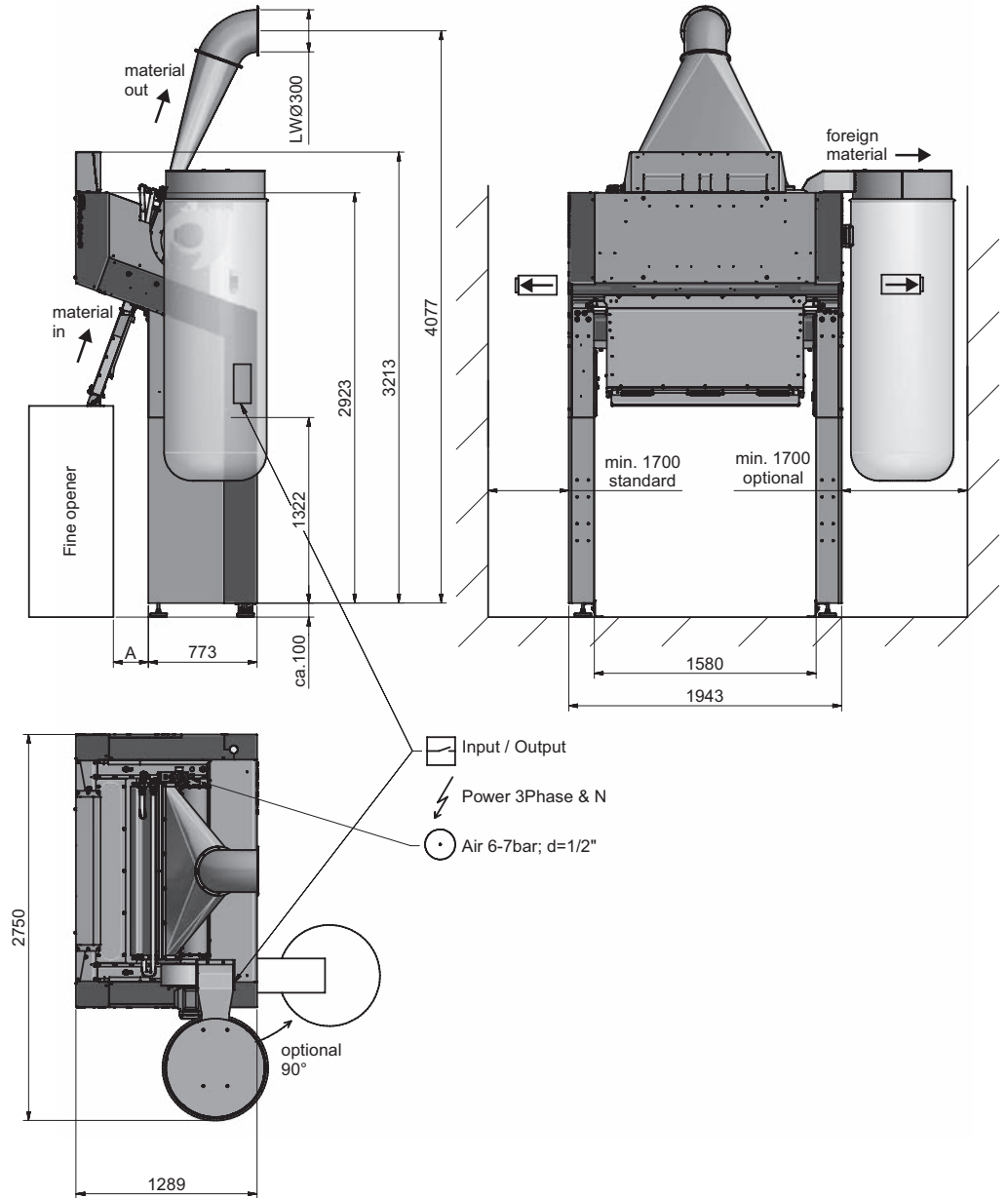
14 languages

German, English, Chinese, Turkish, Italian, Spanish, Vietnamese, French, Japanese, Polish, Portuguese, Korean, Russian, Taiwanese

USTER® JOSSI VISION SHIELD 2

The perfect starting point for Total Contamination Control

Technical drawing USTER® JOSSI VISION SHIELD 2



Uster Technologies has made all possible efforts to ensure that all information is accurate at the time of publication. Hereby it is declared that alterations to the product may be possible at any time. In these cases the information contained in this technical datasheet is subject to change without notice.

May 2019



Uster Technologies AG

Sonnenbergstrasse 10

8610 Uster

Switzerland

T. +41 43 366 36 36

F. +41 43 366 36 37

sales@uster.com

www.uster.com